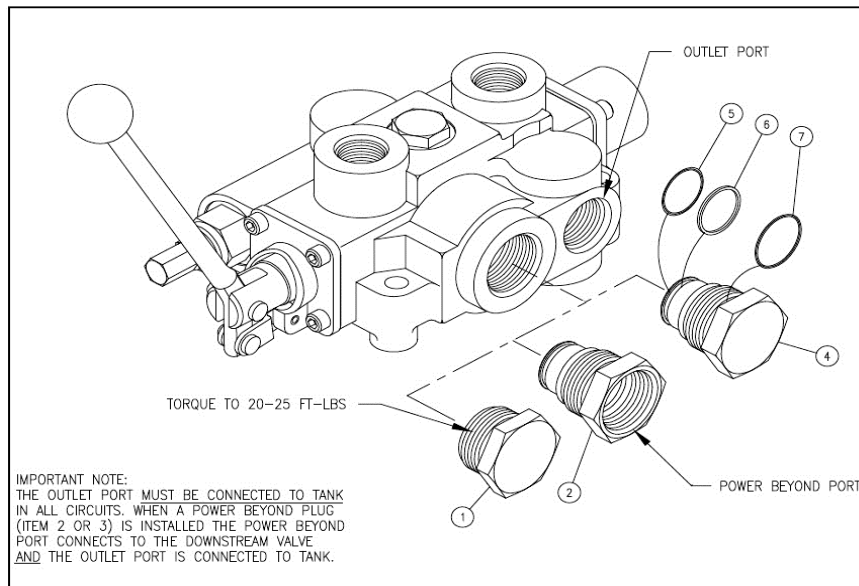


INSTALLING A POWER BEYOND ADAPTER in a Prince RD5000 valve



When connecting a 2nd valve in series, as in an "open center" system, a power beyond circuit should be used (to prevent spool leakage in the upstream valve).

In the upstream valve, the standard plug, #1 above, is removed, and a power beyond adapter, #2, is screwed into the valve in its place.

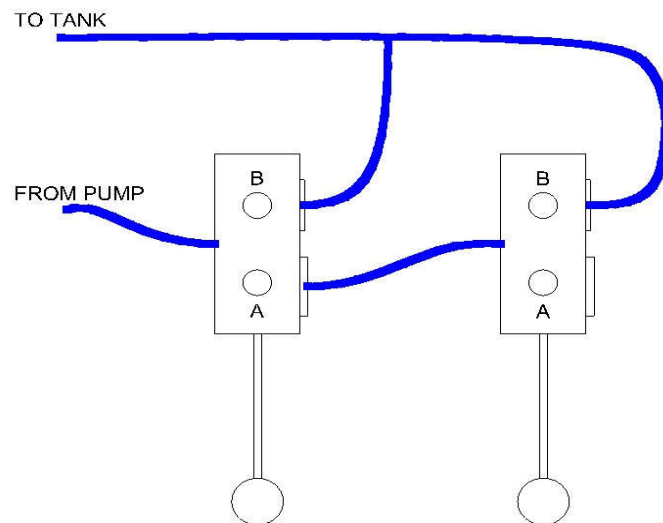
Here's the important part:

The *power beyond* port is connected to the downstream valve

AND

the *outlet port* is connected to a return line to the tank.

BOTH ports must be connected in a power beyond circuit.



NOTES: If the 1st valve is being used, the 2nd valve will not have power.

"Open center" refers to a system powered by a fixed displacement pump, like a gear pump. #4 in the upper drawing is a "closed center" adapter, for use in a system powered by a piston pump.